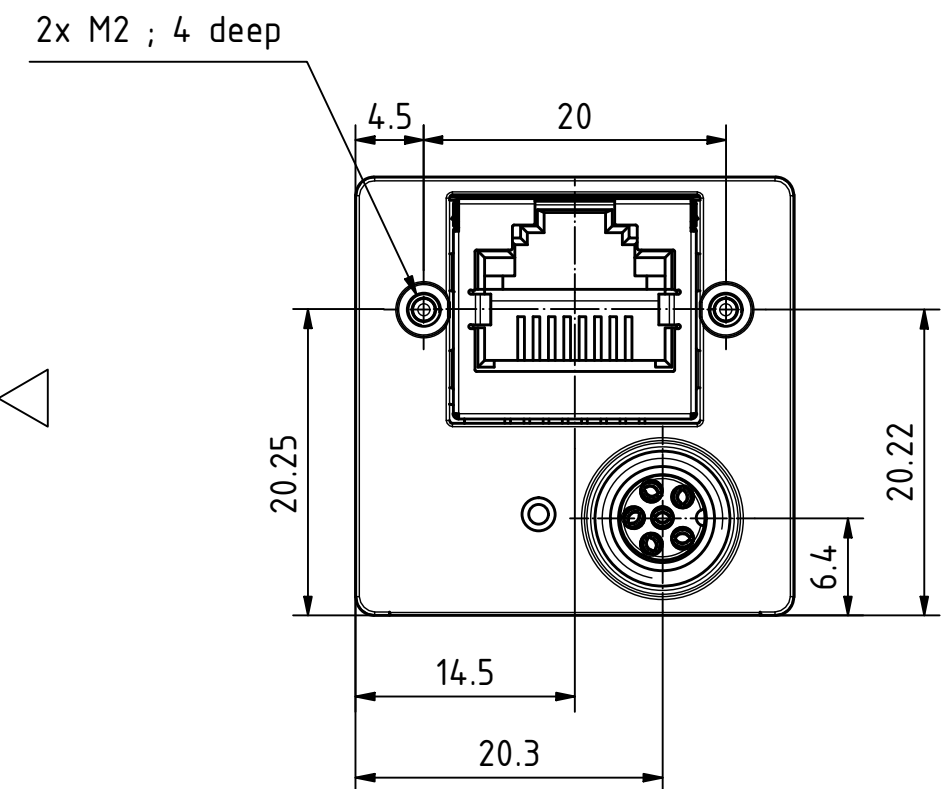
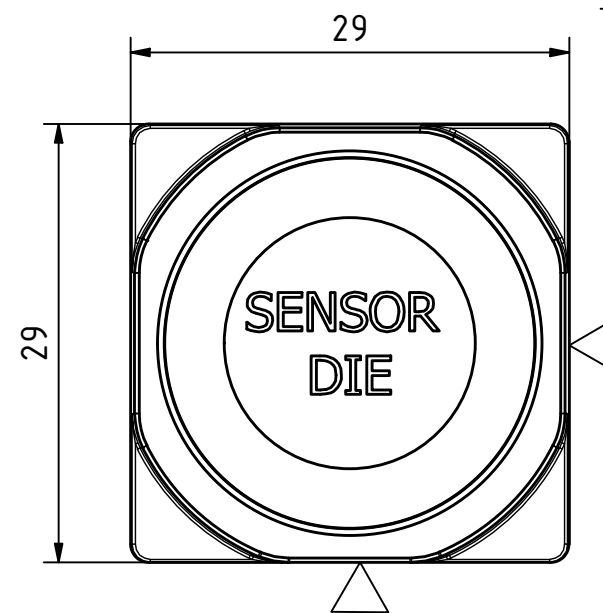
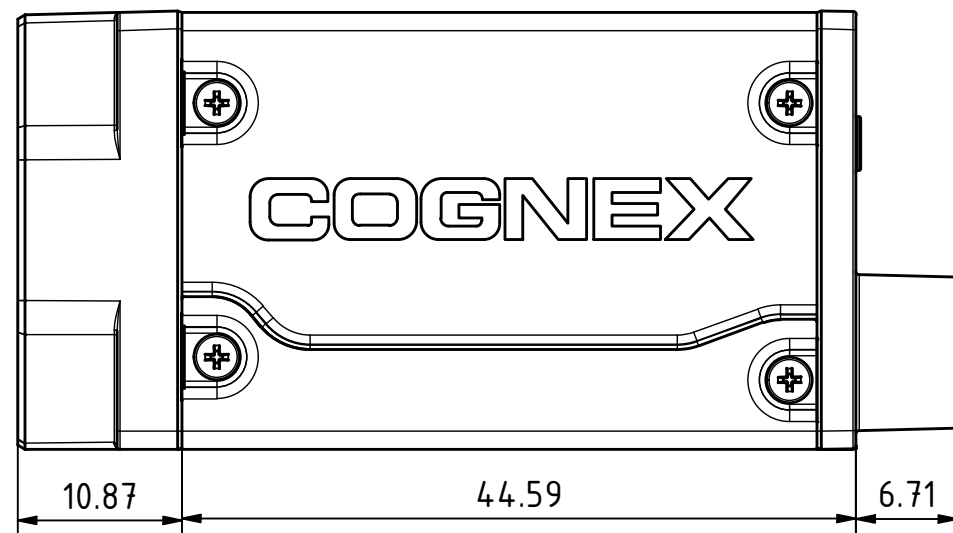
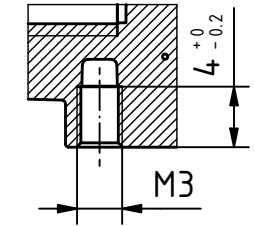


Z-Z (2:1)  
3x fixing threads



Camera Model
CIC-A05-CG-105-5G
CIC-A05-MG-105-5G
CIC-A12-CG-44-5G
CIC-A12-MG-44-5G
CIC-A20-CG-27-5G
CIC-A20-MG-27-5G
CIC-A25-CG-22-5G
CIC-A25-MG-22-5G
CIC-L041-MG-84-5G
CIC-L041-CG-42-5G
CIC-A023-MG-168-5G
CIC-A023-CG-168-5G

◁ = Reference plane

Not to scale  
Dimensions in mm

SK4 (public)		Scale: 2:1	
Revision		Semifinished Parts:	
The indication of changes is without any claim to completeness.		Material:	
Decimal separator is a point.		Title:	
Undimensioned parts: dimensions according to 3D part.		Cognex 5GigE Camera	
Parts' reference system as given in the drawing.		Document Number:	
Dimensions apply to the coated part, unless otherwise stated.		IB114539 04	
Date		Page: 1	
Edited	24.06.2025 fhsieh	of: 1	
Checked	24.06.2025 kstorjoh	Replaces:	
Replaced by:		Replaced by:	
COGNEX		Replaces:	
Cognex Corporation One Vision Drive www.cognex.com Natick, MA 01760-2059		Replaces:	
3D part: IP11454304		Replaces:	